

ADDENDUM NO. 1

FOR

SLEEPY HOLLOW COMMONS PROJECT – PHASE IB WICK DRAINS AND SURCHARGE PROGRAM

SLEEPY HOLLOW LDC, VILLAGE OF SLEEPY HOLLOW, NY

The attention of the bidders is directed to the following changes, additions, and/or substitutions affecting the above-referenced contract(s).

I. RE: DATES FOR BID OPENING

Bidders are advised that the deadlines for the Bid Opening has been extended to the following date:

Bid Opening 11/20/19

II. RE: THE SPECIFICATIONS

ITEM A

Itemized Bid Proposal:

Please **replace** Page 18 with Pages **18-A1**. This sheets contain **revised Unit/Quantities** as a part of this addendum:

REVISED ITEM QUANTITIES

- 634.080000SH SURVEYING AND MONITORING OF INSTRUMENTATION, **9 MONTH**

ITEM B

Drawing List:

Please **replace** Page 174 with Page **174-A1**. This sheet contains **revised sheet numbers** as a part of this addendum.

ITEM C

Technical Specifications:

Please **replace** Pages 718 through 744 and 749 through 759 with Pages **718-A1** through **744-A1** and **749-A1** through **759-A1**. These sheets contain **revised technical specifications** as a part of this addendum.

III. RE: THE PLANS

ITEM A

Sheet 3 of 28, GENERAL NOTES:

Please **replace** current sheet 3 with **3-A1**. Please **note** the revised pay unit and quantity for item 634.080000SH.

ITEM B

Sheet 16 of 28, EROSION & SEDIMENT CONTROL DETAILS - 2:

Please **replace** current sheet 16 with **16-A1**. Please **note** the revised detail for plugging pipes/structures.

ALL PROVISIONS OF THE CONTRACT NOT AFFECTED BY THE FOREGOING SHALL REMAIN IN FULL FORCE AND EFFECT.

SLEEPY HOLLOW LDC

By: Daniel Briar, P.E.
Project Manager - WSP

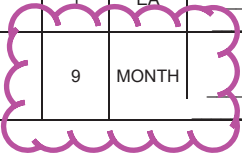
Dated: November 12, 2019

**SLEEPY HOLLOW COMMONS PROJECT
PHASE 1B – WICK DRAIN AND SURCHARGE PROGRAM**

LIST OF DRAWINGS

SHEET NO.	DWG. NO.	DRAWING TITLE
1	TS-01	TITLE AND DRAWING INDEX
2	GEN-01	GENERAL NOTES – 1
3-A1	GEN-02	LEGEND, ABBREVIATIONS AND GENERAL NOTES – 2
4	EXP-01	EXISTING CONDITIONS PLAN
5	OVW-01	OVERVIEW PLAN
6	GNP-01	GENERAL PLAN – 1
7	GNP-02	GENERAL PLAN – 2
8	GNP-03	GENERAL PLAN – 3
9	GNP-04	GENERAL PLAN – 4
10	SCS-01	STOCKPILE CROSS SECTIONS
11	ESC-01	EROSION AND SEDIMENT CONTROL PLAN – 1
12	ESC-02	EROSION AND SEDIMENT CONTROL PLAN – 2
13	ESC-03	EROSION AND SEDIMENT CONTROL PLAN – 3
14	ESC-04	EROSION AND SEDIMENT CONTROL PLAN – 4
15	ESD-01	EROSION AND SEDIMENT CONTROL DETAILS – 1
16-A1	ESD-02	EROSION AND SEDIMENT CONTROL DETAILS – 2
17	SCN-01	GENERAL SURCHARGE AND PRELOAD FILL NOTES – 1
18	VDD-01	VERTICAL DRAIN DETAILS
19	VDI-01	VERTICAL DRAINS AND INSTRUMENTATION PLAN – 1
20	VDI-02	VERTICAL DRAINS AND INSTRUMENTATION PLAN – 2
21	VDI-03	VERTICAL DRAINS AND INSTRUMENTATION PLAN – 3
22	VDI-04	VERTICAL DRAINS AND INSTRUMENTATION PLAN – 4
23	IMN-01	INSTRUMENTATION AND MONITORING NOTES
24	IND-01	INSTRUMENTATION DETAILS – 1
25	IND-02	INSTRUMENTATION DETAILS – 2
26	IND-03	INSTRUMENTATION DETAILS – 3
27	IND-04	INSTRUMENTATION DETAILS – 4
28	WND-01	TEMPORARY MSE WALL _ NOTES AND DETAILS

Item No.	Item Description	Est. Qty.	Unit	Unit Price (In Words)	Unit Price (In Numbers)	Total Price (In Words) (Est. Quantity x Unit Price)	Total Price (In Numbers) (Est. Quantity x Unit Price)
209.190201	ROLLED EROSION CONTROL PRODUCT, CLASS II TYPE B, INTERMEDIATE	11080	SY	_____ /SY	_____ /SY	_____ /SY	\$ _____
209.22	CONSTRUCTION ENTRANCE	90	SY	_____ /SY	_____ /SY	_____ /SY	\$ _____
490.30	MISCELLANEOUS COLD MILLING OF BITUMINOUS CONCRETE	27160	SY	_____ /SY	_____ /SY	_____ /SY	\$ _____
552.11	PERMANENT STEEL SHEETING	5040	SF	_____ /SF	_____ /SF	_____ /SF	\$ _____
554.000000SH	TEMPORARY MSE WALL	4300	SF	_____ /SF	_____ /SF	_____ /SF	\$ _____
604.070101	ALTERING DRAINAGE STRUCTURES, LEACHING BASINS AND MANHOLES	5	EA	_____ /EA	_____ /EA	_____ /EA	\$ _____
619.01	BASIC WORK ZONE TRAFFIC CONTROL	1	LS	_____ /LS	_____ /LS	_____ /LS	\$ _____
620.03	STONE FILLING (LIGHT)	193	CY	_____ /CY	_____ /CY	_____ /CY	\$ _____
625.01	SURVEY OPERATIONS	1	LS	_____ /LS	_____ /LS	_____ /LS	\$ _____
634.010000SH	OBSERVATION WELLS	1	EA	_____ /EA	_____ /EA	_____ /EA	\$ _____
634.020000SH	VIBRATING WIRE PIEZOMETERS	3	EA	_____ /EA	_____ /EA	_____ /EA	\$ _____
634.030000SH	MAGNETIC EXTENSOMETERS	3	EA	_____ /EA	_____ /EA	_____ /EA	\$ _____
634.040000SH	SETTLEMENT PLATES	11	EA	_____ /EA	_____ /EA	_____ /EA	\$ _____
634.050000SH	INCLINOMETERS	4	EA	_____ /EA	_____ /EA	_____ /EA	\$ _____
634.060000SH	SURFACE MONITORING POINTS	9	EA	_____ /EA	_____ /EA	_____ /EA	\$ _____
634.070000SH	DEEP BENCHMARKS	1	EA	_____ /EA	_____ /EA	_____ /EA	\$ _____
634.080000SH	SURVEYING AND MONITORING OF INSTRUMENTATION	9	MONTH	_____ /MONTH	_____ /MONTH	_____ /MONTH	\$ _____





WSP USA INC.
555 Pleasantville Road
Briarcliff Manor, NY 10510
(914) 747-1120

ENGINEER OF RECORD:



NEW YORK STATE LICENSED
PROFESSIONAL ENGINEER

UNAUTHORIZED ALTERATIONS AND ADDITIONS TO THIS
DRAWING IS A VIOLATION OF SECTION 7209 (2)
OF THE NEW YORK STATE EDUCATION LAW

KEY PLAN:

REVISIONS:

PROJECT NAME:

**SLEEPY HOLLOW COMMONS
PROJECT - PHASE IB**

**VILLAGE OF SLEEPY HOLLOW
WESTCHESTER COUNTY, NEW YORK**

ISSUE DATE:

9/19/2019

PROJECT NUMBER:

188137D

SCALE:

NONE

DRAWING NAME:

GENERAL NOTES - 2

DRAWING NUMBER:

GEN-02

SHEET NUMBER:

3-A1 OF 28

SUGGESTED SEQUENCE OF OPERATIONS:

1. INSTALL TEMPORARY SILT FENCE AND ANY REQUIRED ROW FENCING AT PROJECT LIMITS.
2. CLEAR AND GRUB SITE.
3. RELOCATE EXISTING STOCKPILED MATERIALS LOCATED WITHIN THE SURCHARGE LIMITS TO PROPOSED LOCATION(S) INDICATED ON THE CONTRACT DRAWINGS.
4. PLUG, BACKFILL, AND ABANDON EXISTING STORM DRAINS AS SHOWN ON THE CONTRACT DRAWINGS.
5. INSTALL PERMANENT STEEL SHEETING BETWEEN SURCHARGE LIMITS AND EXISTING WATER MAIN ALONG CONTINENTAL STREET.
6. MILL/RUBBLIZE ASPHALT AND CONCRETE SURFACE IN LOCATIONS WHERE VERTICAL DRAINS WILL BE INSTALLED.
7. INSTALL EROSION AND SEDIMENT CONTROL MEASURES AROUND PERIMETER OF VERTICAL DRAIN AND SURCHARGE LIMITS.
8. INSTALL VERTICAL DRAINS. PERFORM PRE-AUGERING OR SPUDDING OR OTHER APPROVED MEASURES TO ADVANCE VERTICAL DRAINS THROUGH DENSER MATERIAL OR OBSTRUCTIONS WHERE A VIBRATED MANDREL WAS NOT ABLE TO INSTALL THE DRAINS TO THE REQUIRED DEPTH.
9. INSTALL HORIZONTAL STRIP DRAINS AND PERIMETER PIPES WITH FITTINGS. PRELOAD FILL MATERIAL SHALL BE PUSHED OUT IN FRONT OF THE EARTHWORKS EQUIPMENT FOR THE FIRST ONE FEET OF FILL TO PREVENT ANY DAMAGE TO VERTICAL DRAINS OR HORIZONTAL STRIP DRAINS.
10. MOVE, SPREAD, AND COMPACT THE SURCHARGE AND PRELOAD FILL FROM ON-SITE STOCKPILES TO THE GRADES AND ELEVATIONS SHOWN ON THE CONTRACT DRAWINGS.
11. INSTALL MONITORING INSTRUMENTATION INCREMENTALLY AS NECESSARY AS ADDITIONAL LIFTS OF SURCHARGE AND PRELOAD FILL MATERIAL ARE PLACED AND COMPACTED.
12. INSTALL TEMPORARY EARTH RETAINING WALL ALONG CONTINENTAL STREET AS SURCHARGE AND PRELOAD FILL MATERIAL IS PLACED AND COMPACTED TO MAINTAIN SITE ACCESS.
13. INSTALL ROLLED EROSION CONTROL PRODUCTS ON ALL EXPOSED SLOPES ONCE SURCHARGE AND PRELOAD MATERIAL HAS BEEN PLACED TO PROPOSED ELEVATIONS.
14. MAINTAIN EROSION AND SEDIMENT CONTROL MEASURES AND MONITORING INSTRUMENTATION AND EQUIPMENT FOR THE MINIMUM DURATION OF THE SURCHARGE PERIOD AND AS DIRECTED BY THE ENGINEER.
15. REMOVE TEMPORARY EROSION AND SEDIMENT CONTROL MEASURES AND MONITORING INSTRUMENTATION AND EQUIPMENT AT THE END OF THE SURCHARGE HOLD PERIOD (MINIMUM SIX MONTHS). NO REMOVAL SHALL BE PERFORMED WITHOUT A WRITTEN AUTHORIZATION FROM THE ENGINEER.

LEGEND

- 179.3 x - SPOT ELEVATION
- ✿ - ORNAMENTAL SHRUB
- ☀ - EVERGREEN TREE
- ☁ - DECIDUOUS TREE
- ⊗ - EXISTING SANITARY SEWER MANHOLE
- ⊙ - EXISTING DRAINAGE MANHOLE
- ⊕ - TELEPHONE MANHOLE
- Ⓜ - MONITORING WELL
- S - SANITARY SEWER SERVICE
- - UTILITY POLE
- - CHAIN LINK FENCE
- - STOCKADE FENCE
- X-X-X - METAL FENCE
- ☀ - LIGHT POLE
- ⌵ - SIGN POST
- GV - GAS VALVE
- WV - WATER VALVE
- ⊕ - FIRE HYDRANT
- - EXISTING CATCH BASIN
- - FIELD INLET CATCH BASIN
- - STONE WALL
- ==== - EXISTING DRAINAGE LINE
- GM - EXISTING GAS MAIN
- WM - EXISTING WATER MAIN
- ⊕ - BENCHMARK
- ⊕ - WATER SHUTOFF
- ⊕ - PROPOSED SANITARY SEWER MANHOLE
- ⊕ - PROPOSED DRAINAGE MANHOLE
- ⊕ - PROPOSED DRAINAGE CATCH BASIN
- ⊕ - PROPOSED TEST PIT
- ==== - PROPOSED CONSTRUCTION FENCING
- - PROPOSED SILT FENCING
- - PROPERTY LINE
- HB ----- - HIGHWAY BOUNDARY
- SA - PROPOSED SANITARY
- SAF - PROPOSED SANITARY FORCE MAIN
- - PROPOSED BURIED TEMPORARY WATER
- - PROPOSED ABOVE GROUND TEMPORARY WATER

ABBREVIATIONS

- 4" P.C. 4" PLASTIC CONDUIT (TELEPHONE)
- MCOD MULTIPLE CONCRETE DUCT (TELEPHONE)
- MTD MULTIPLE TILE DUCT (TELEPHONE)
- STD SINGLE TILE DUCT (TELEPHONE)
- 4" P.C. 4" PLASTIC TELEPHONE CONDUIT
- CWD CREOSOTED WOOD DUCT (TELEPHONE)
- WIP WROUGHT IRON PIPE (TELEPHONE)
- BSP BLACK STEEL PIPE (TELEPHONE)
- CULV. CULVERT
- BM BENCHMARK
- SPK SPIKE
- ELEC ELECTRIC
- CHIM CHIMNEY
- GIS GEOGRAPHIC INFORMATION SYSTEM
- TMH TELEPHONE MANHOLE
- CR COUNTY ROAD
- SH STATE HIGHWAY
- ELEV. ELEVATION
- CONC. CONCRETE
- UTP UTILITY POLE
- WSO WATER SHUTOFF
- EIC ENGINEER IN CHARGE
- M&PT MAINTENANCE AND PROTECTION OF TRAFFIC AS ORDERED BY ENGINEER
- A.O.B.E. AS ORDERED BY ENGINEER
- RCP REINFORCED CONCRETE PIPE
- HECP HORIZONTAL ELLIPTICAL CONCRETE PIPE
- ACP ASBESTOS CONCRETE PIPE
- OHW OVERHEAD WIRES
- UT UNDERGROUND TELEPHONE

ESTIMATE OF QUANTITIES

ITEM NO.	DESCRIPTION	UNIT	QUANTITY
201.06	CLEARING AND GRUBBING	LS	1
203.02	UNCLASSIFIED EXCAVATION AND DISPOSAL	CY	1020
203.011000SH	EXISTING ON-SITE MATERIAL (FURNISHED BY OTHERS)	CY	90000
203.012000SH	MATERIAL FURNISHED AND PLACED IN SURCHARGE AND PRELOAD AREA BY OTHERS	CY	85000
203.020000SH	MATERIAL OBTAINED FROM OFF-SITE SOURCE BY THE CONTRACTOR	CY	0
203.030000SH	SURVEYING FOR EARTHWORK	LS	1
204.01	CONTROLLED LOW STRENGTH MATERIAL	CY	30
203.51990006	ESTABLISHING NEW DITCHES AND SLOPES	LF	1040
209.11000001	GEOTEXTILE FABRIC SEDIMENT COLLECTION BAG	EA	1
209.110102	CHECK DAM (DITCH BOTTOM WIDTH > 3' TO 6'), STONE-TEMPORARY	EA	10
209.13	SILT FENCE-TEMPORARY	LF	1610
209.140101	SEDIMENT TRAP, EARTH BERM - TEMPORARY	EA	1
209.190201	ROLLED EROSION CONTROL PRODUCT, CLASS II TYPE B, INTERMEDIATE	SY	11080
209.22	CONSTRUCTION ENTRANCE	SY	90
490.30	MISCELLANEOUS COLD MILLING OF BITUMINOUS CONCRETE	SY	27160
552.11	PERMANENT STEEL SHEETING	SF	5040
554.000000SH	TEMPORARY MSE WALL	SF	4300
604.070101	ALTERING DRAINAGE STRUCTURES, LEACHING BASINS AND MANHOLES	EA	5
619.01	BASIC WORK ZONE TRAFFIC CONTROL	LS	1
620.03	STONE FILLING (LIGHT)	CY	193
625.01	SURVEY OPERATIONS	LS	1
634.010000SH	OBSERVATION WELLS	EA	1
634.020000SH	VIBRATING WIRE PIEZOMETERS	EA	3
634.030000SH	MAGNETIC EXTENSOMETERS	EA	3
634.040000SH	SETTLEMENT PLATES	EA	11
634.050000SH	INCLINOMETERS	EA	4
634.060000SH	SURFACE MONITORING POINTS	EA	9
634.070000SH	DEEP BENCHMARKS	EA	1
634.080000SH	SURVEYING AND MONITORING OF INSTRUMENTATION	MONTH	9
634.090000SH	PRE-CONSTRUCTION SURVEY REPORTS	LS	1
634.100000SH	POST-CONSTRUCTION SURVEY REPORTS	LS	1
637.11	ENGINEER'S FIELD OFFICE - TYPE 1	MONTH	12
637.26	RAIN GAUGE	EA	1
637.34	OFFICE TECHNOLOGY AND SUPPLIES	DC	2500
737.010000SH	VERTICAL DRAINS	LF	756000
737.020000SH	PRE-AUGERING AND SPUDDING	EA	4800
737.030000SH	HORIZONTAL STRIP DRAINS	LF	69000
737.040000SH	PERIMETER OUTLET PIPES	LF	2250
697.03	FIELD CHANGE PAYMENT	DC	179000
699.040001	MOBILIZATION	LS	1

* ALL WORK DEPICTED IN THIS PLAN SET SHALL BE INCLUSIVE OF THE FOLLOWING NYSDOT ITEM NUMBERS

ITEM 634.080000SH QUANTITY/UNIT REVISED

THIS SHEET SUPERCEDES SHEET 3



WSP USA INC.
555 Pleasantville Road
Briarcliff Manor, NY 10510
(914) 747-1120

ENGINEER OF RECORD:



NEW YORK STATE LICENSED
PROFESSIONAL ENGINEER

UNAUTHORIZED ALTERATIONS AND ADDITIONS TO THIS
DRAWING IS A VIOLATION OF SECTION 7209 (2)
OF THE NEW YORK STATE EDUCATION LAW

KEY PLAN:

REVISIONS:

PROJECT NAME:

**SLEEPY HOLLOW COMMONS
PROJECT - PHASE IB**

**VILLAGE OF SLEEPY HOLLOW
WESTCHESTER COUNTY, NEW YORK**

ISSUE DATE:

9/19/2019

PROJECT NUMBER:

188137D

SCALE:

AS SHOWN

DRAWING NAME:

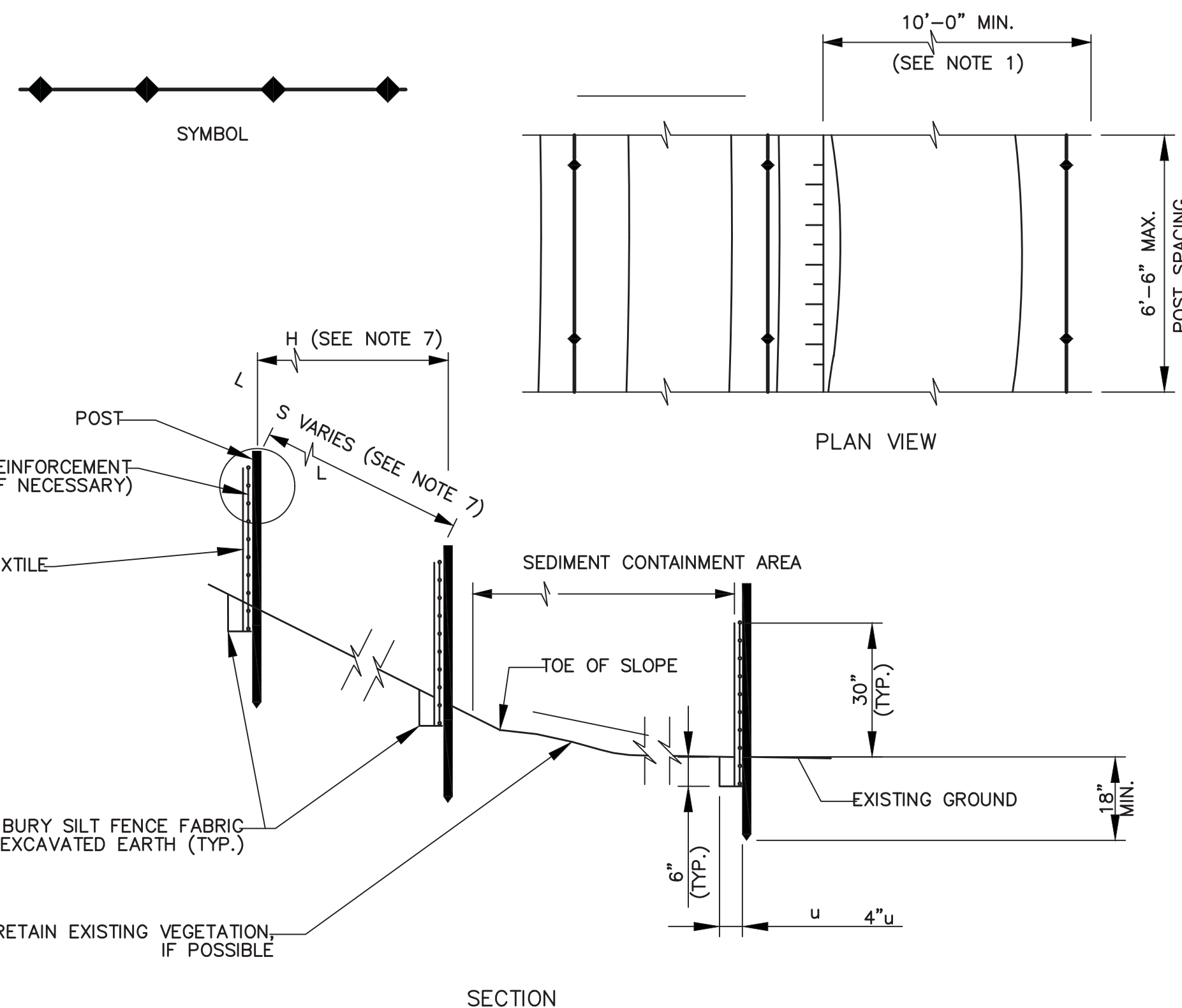
**EROSION & SEDIMENT
CONTROL DETAILS - 2**

DRAWING NUMBER:

ESD-02

SHEET NUMBER:

16-A1 OF 28



APPLICATION NOTES (SILT FENCE):

1. THE PRIMARY PURPOSE OF A SILT FENCE IS TO REDUCE RUNOFF VELOCITY AND TRAP SEDIMENT. VELOCITY IS REDUCED, WATER IS IMPOUNDED BEHIND THE MEASURE, AND SEDIMENT FALLS OUT OF SUSPENSION.
2. SILT FENCE SHALL BE INSTALLED ON A LINE OF EQUAL ELEVATION (CONTOUR). IT MAY BE INSTALLED AT INTERMEDIATE POINTS UP SLOPES AS WELL AS AT THE BOTTOM, AS SHOWN IN THE DETAIL.
3. SILT FENCE SHALL NOT BE USED IN OR ACROSS A FLOWING NATURAL CHANNEL, OR AREAS OF CONCENTRATED FLOW.

GENERAL NOTES (SILT FENCE):

1. PLACEMENT OF SILT FENCE SHALL PROVIDE ADEQUATE AREA FOR SEDIMENT STORAGE AND FACILITATE MAINTENANCE OF SEDIMENT CONTAINMENT AREA.
2. POSTS MAY BE 1" X 1" (MIN.) HARDWOOD, 1" X 3" (MIN.) SOFTWOOD, OR 1.3 LB/FT (MIN.) STEEL. SPACING FOR THE PROVIDED SILT FENCE SHALL BE AS DESIGNATED ON THE DEPARTMENT APPROVED LIST FOR SILT FENCE.
3. THE BOTTOM EDGE OF SILT FENCE SHALL BE BURIED A MINIMUM OF 6" BELOW GROUND. THE FENCE SHALL BE INSTALLED WITH THE POSTS ON THE DOWNSTREAM SIDE OF THE FABRIC.
4. MEASURES SHALL BE INSPECTED EVERY SEVEN (7) CALENDAR DAYS OR AFTER EACH RAINFALL OF " OR MORE WITHIN A 24 HOUR PERIOD. MEASURES SHALL BE CLEANED AND REPAIRED AS REQUIRED.
5. SEDIMENT SHALL BE REMOVED WHEN ACCUMULATION REACHES ONE-HALF OF THE MEASURE HEIGHT. SEDIMENT SHALL BE DISPOSED OF AS UNSUITABLE MATERIAL.
6. DRAINAGE AREAS:
MAXIMUM DRAINAGE AREA TRIBUTARY TO 100'-0" OF SILT FENCE SHALL BE .ACRE.
7. THE FOLLOWING ARE MAXIMUM SLOPE LENGTHS TO THESE MEASURES:

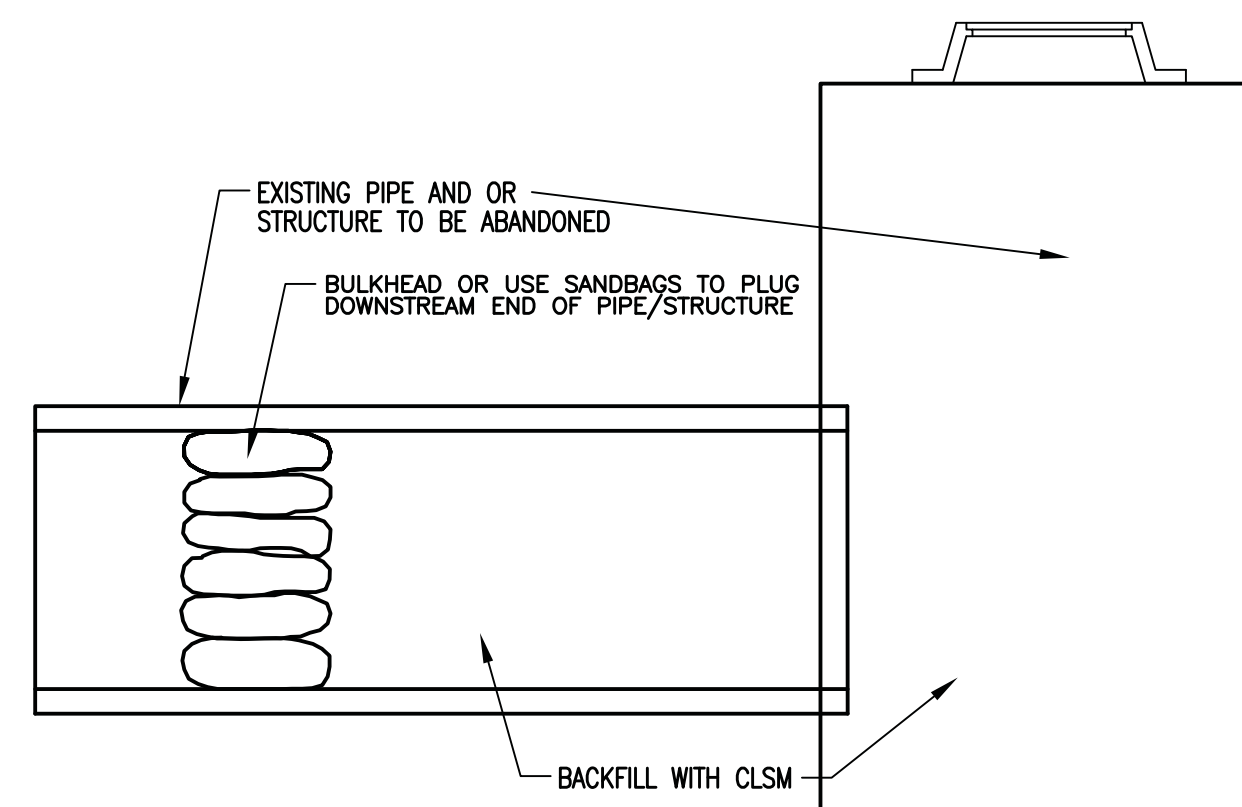
SLOPE	(L)SLOPE LENGTH (FT)	(H)HORIZ LENGTH(FT)
2:1	25	22
3:1	50	47
4:1	75	73
5:1	100	98
8. SILT FENCE INSTALLATION, INCLUDING EXCAVATION, BACKFILL, COMPACTION, MAINTENANCE & REMOVAL OF SILT FENCE SHALL BE INCLUDED IN THE UNIT PRICE BID FOR ITEM 209.13.

TEMPORARY SILT FENCE DETAIL (ITEM 209.13)

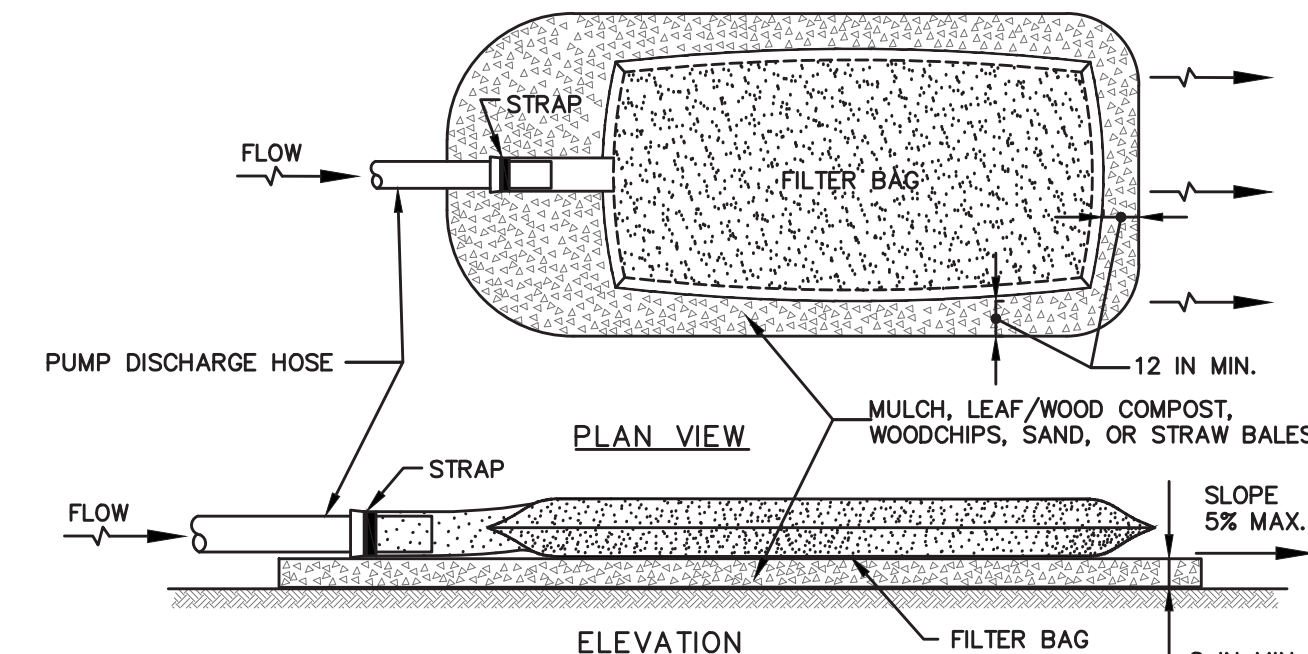
N.T.S.

ABANDONING STRUCTURES/PLUGGING PIPES – PAID FOR UNDER ITEM 204.01

N.T.S.



NOTE: ALL WORK NECESSARY TO PLUG PIPE
INCLUDED UNDER ITEM 204.01



CONSTRUCTION SPECIFICATIONS

1. FILTER BAG SHALL BE PLACED IN AN AREA THAT IS ACCESSIBLE BY EQUIPEMENT CAPABLE OF LIFTING A FULL BAG WITHOUT DRAGGING OR DAMAGING IT.
2. WITH TIGHTLY SEAL SLEEVE AROUND THE PUMP DISCHARGE HOSE WITH A STRAP OR SIMILAR DEVICE.
3. PLACE FILTER BAG ON SUITABLE BASE (E.G., MULCH, LEAF/WOOD COMPOST, WOODCHIPS, SAND, OR STRAW BALES) LOCATED ON A LEVEL OR 5% MAXIMUM SLOPING SURFACE. DISCHARGE TO A STABILIZED AREA. EXTEND BASE A MINIMUM OF 12 INCHES FROM EDGES OF BAG.
4. CONTROL PUMPING RATE TO PREVENT EXCESSIVE PRESSURE WITHIN THE FILTER BAG IN ACCORDANCE WITH THE MANUFACTURER RECOMMENDATIONS. AS THE BAG FILLS WITH SEDIMENT, REDUCE PUMPING RATE.
5. REMOVE AND PROPERLY DISPOSE OF FILTER BAG UPON COMPLETION OF PUMPING OPERATIONS OR AFTER BAG HAS REACHED CAPACITY, WHICHEVER OCCURS FIRST. SPREAD THE DEWATERED SEDIMENT FROM THE BAG IN AN APPROVED UPLAND AREA AND STABILIZE WITH SEED AND MULCH BY THE END OF THE WORK DAY. RESTORE THE SURFACE AREA BENEATH THE BAG TO ORIGINAL CONDITION UPON REMOVAL OF THE DEVICE.
6. USE NONWOVEN GEOTEXTILE WITH DOUBLE STITCHED SEAMS USING HIGH STRENGTH THREAD. SIZE SLEEVE TO ACCOMMODATE A MAXIMUM 4 INCH DIAMETER PUMP DISCHARGE HOSE. THE BAG MUST BE MANUFACTURED FROM A NONWOVEN GEOTEXTILE THAT MEETS OR EXCEEDS MINIMUM AVERAGE ROLL VALUES (MARV) FOR THE FOLLOWING:

GRAB TENSILE	250 LB	ASTM D-4632
PUNCTURE	150 LB	ASTM D-4833
FLOW RATE	70 GAL/MIN/FT ²	ASTM D-4491
PERMITTIVITY (SEC ⁻¹)	1.2 SEC ⁻¹	ASTM D-4491
UV RESISTANCE	70% STRENGTH @ 500 HOURS	ASTM D-4355
APPARENT OPENING SIZE (AOS)	0.15-0.18 MM	ASTM D-4751
SEAM STRENGTH	90%	ASTM D-4632
7. REPLACE FILTER BAG IF BAG CLOGS OR HAS RIPS, TEARS, OR PUNCTURES. DURING OPERATION KEEP CONNECTION BETWEEN PUMP HOSE AND FILTER BAG WATER TIGHT. REPLACE BEDDING IF IT BECOMES DISPLACED.

N.T.S.

GEOTEXTILE FABRIC SEDIMENT COLLECTION BAG (FILTER BAG) DETAIL (ITEM 209.11000001)

REVISED PIPE PLUGGING DETAIL

THIS SHEET SUPERCEDES SHEET 16